



Introduction

The E-Box is a web-based multifunctional smart controller, It is part of intelligent control system which integrated digital and analog devices control, enables you to creative customized scenes and control various device.

The E-Box is a wall mounted unit . It can be connected to mains voltage lamps and physical wall switch directly.

The E-Box is provided dual-cut feature with a physical wall switch which is used to provide high availability even the E-Box without power supply still can on/off the loads through wall switch.

The E-Box build in 8 circuits control function which also can detect and measure the current of electricity in every individual circuits.

The E-Box equip full function smart control software. Connect and driven by the environmental sensors, make the living space more comfortable, more energy efficient and smarter.

Notification: Can be triggered by the preset events and send the messages via. email or Line@app to preset users.

Support Permission management ,schedule, web-based control

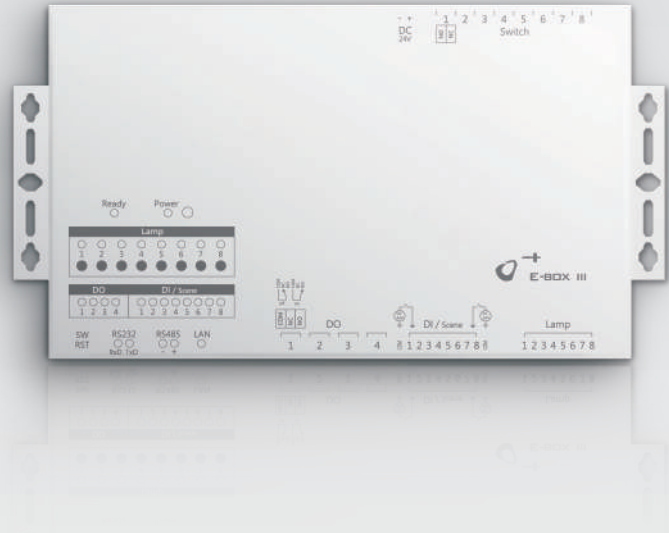
Support Voice control (Apple Siri / amazon Alexa / google assistant) . Can be controlled by native system or app (Apple Home / Line) or smart speaker (HomePod, google home, echo)

Expandability

- One master control box can support maximum 10 expansion module, expanding more lamp/DI/DO circuit.
- The master control box and expansion modules are both TCP/IP devices, using standard RJ45 connector.

Notes

- Construction or integration must be a qualified electrical engineer to install
- Terminal blocks on the load accept the following wire gauges:
RS485: shielded twisted pair cable for wiring.
Lamp/Switch: between 2.0mm² to 1.6 mm² single-core or multi-core wire
- The E-Box housing is suit for standard 35mm DIN rail mounting with DIN rail mounting kits in mains installation cabinets or similar. Of course it can directly mount on a flat surface.
- Incandescent lamps circuit maximum load is 5A and fluorescent lamps circuit maximum load is 2A.
- DI connection must have DV24V input in circuit loop
- DO must use for dry contact connection.
- Do not install different Lighting specifications (ex: incandescent lamps , fluorescent lamps) in one control circuit to avoid light or device damage



Power

Main Supply	DC24V / 2A
Heat Dissipation	Master model:1A ◦ Slave model:500 mA ◦

I/O

Lamp	8 x AC100V~240V 5A(60Hz/50Hz) 50mAmp~5Amp@90-240V	1.6 mm ² Current Transfer
Switch	8 x AC100V~240V 5A(60Hz/50Hz)	1.6 mm ²
DI	8 x {com:(DC-) / 1~8 (DC+) } ◦ DC 24V ◦	0.75 mm ²
DO	4 x (com/no/nc) ◦ AC100V-240V 0.5A ; DC 5~48V 1A ◦	
LAN	RJ45 (NO POE)	CAT6
RS232	1 x DB9	
RS485	1 x RS485	#24AWG

Operating Conditions

Ambient Temperature	0~55°C
Relative Humidity	< 80 %

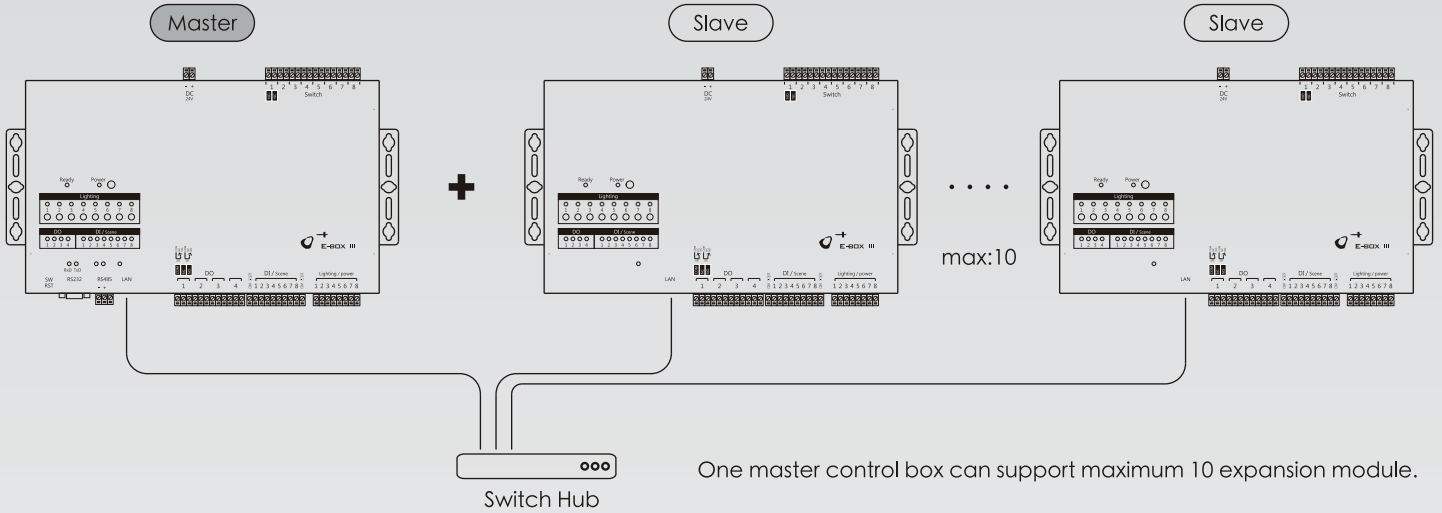
Mechanical Data

Weight	1.8 Kg
Dimensions	336(L)x210(W)x43(H) mm ◦

Safety

CE/FCC	
UL	

Extention Wiring Diagram



Connections

DC24V – Power supply input

Switch – Eight sets of double cut lighting control circuit switch contacts

SW RST – Reset button for restore factory settings

RS-232 – RS-232 communication Interface

RS-485 – RS-485 communication Interface

LAN – RJ45 network communication Interface

DO – 4 sets of dry contact output

DI /Scene – 8 sets of digital input

Lamp – 8 sets of lighting control circuits (100~240V AC)

Tungsten 5A; fluorescent 2A (for every circuit) .

